

## TRITECH - Ref. 1780

suitable for heavy weight flush doors  
tested to BS EN 1935 Grade 14 - 160 kg



### Product features

- solid brass high performance concealed bearing hinge
- weight carrying capacity to 160 kg
- suitable for heavy weight flush doors tested to BS EN 1935 Grade 14
- CE and UKCA marked FD30 and FD60 fire rated options
- maintenance free, 25 year performance guarantee
- security bolt and radius corner options available

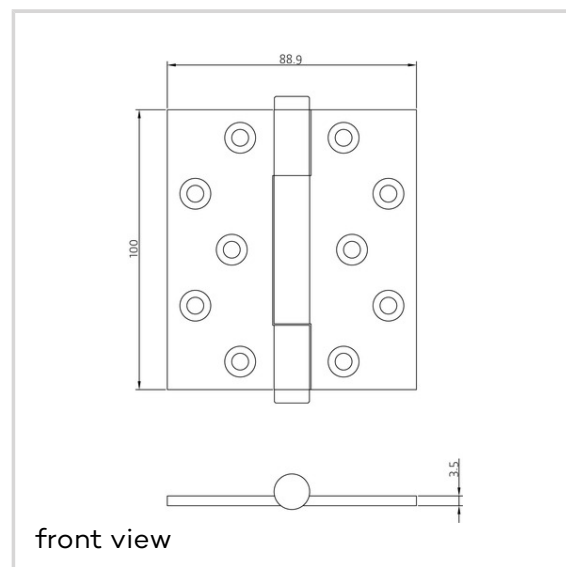
### Technical data

Property	Value
Load capacity	160.0 kg
Knuckle Diameter	13.0 mm
Overall length	100.0 mm
Overall width	88.9 mm
Material thickness	3.5 mm
Screws	9.5 x 32.0 mm
Screws (Gauge)	10.0 g

### Classification code

4	7	7	1 <sup>1</sup>	1	4	0	14
---	---	---	----------------	---	---	---	----

<sup>1</sup> Test evidence for functional doors to be achieved with full door sets and assemblies.



**TRITECH - TRITECH - Ref. 1780****Notes**

Supplied complete with pozi/slotted head brass woodscrew if required.

Salt spray tested to over 1,000 hours.

**Item versions**

Finish	Aged Brass (UK 501)
VPE	Pack of 10
DIN	DIN right and left hand
Article number	1780 (UK 501)
Finish	Antique Brass (UK 502)
VPE	Pack of 10
DIN	DIN right and left hand
Article number	1780 (UK 502)
Finish	Antique nickel (UK 503)
VPE	Pack of 10
DIN	DIN right and left hand
Article number	1780 (UK 503)
Finish	Copper Bronze (UK 505)
VPE	Pack of 10
DIN	DIN right and left hand
Article number	1780 (UK 505)
Finish	Copper (UK 506)
VPE	Pack of 10
DIN	DIN right and left hand
Article number	1780 (UK 506)
Finish	Honeycombe (UK 507)
VPE	Pack of 10
DIN	DIN right and left hand
Article number	1780 (UK 507)
Finish	Imitation Bronze (UK

## TRITECH - TRITECH - Ref. 1780

VPE	508)
DIN	Pack of 10
Article number	DIN right and left hand 1780 (UK 508)
Finish	Midnight (UK 509)
VPE	Pack of 10
DIN	DIN right and left hand
Article number	1780 (UK 509)
Finish	Polished Chrome (UK 511)
VPE	Pack of 10
DIN	DIN right and left hand
Article number	1780 (UK 511)
Finish	Polished & Lacquered (UK 512)
VPE	Pack of 10
DIN	DIN right and left hand
Article number	1780 (UK 512)
Finish	Polished Nickel (UK 513)
VPE	Pack of 10
DIN	DIN right and left hand
Article number	1780 (UK 513)
Finish	Satin Brass & Lacquered (UK 514)
VPE	Pack of 10
DIN	DIN right and left hand
Article number	1780 (UK 514)
Finish	Satin Chrome (UK 515)
VPE	Pack of 10
DIN	DIN right and left hand
Article number	1780 (UK 515)
Finish	Satin nickel (UK 516)
VPE	Pack of 10
DIN	DIN right and left hand
Article number	1780 (UK 516)
Finish	PVD Brass (UK 517)
VPE	Pack of 10

**TRITECH - TRITECH - Ref. 1780**

DIN Article number	DIN right and left hand 1780 (UK 517)
Finish VPE DIN Article number	PVD Copper rose (UK 518) Pack of 10 DIN right and left hand 1780 (UK 518)
Finish VPE DIN Article number	PVD Matt black (UK 519) Pack of 10 DIN right and left hand 1780 (UK 519)
Finish VPE DIN Article number	PVD Rainbow (UK 520) Pack of 10 DIN right and left hand 1780 (UK 520)
Finish VPE DIN Article number	PVD Stainless steel effect (UK 521) Pack of 10 DIN right and left hand 1780 (UK 521)
Finish VPE DIN Article number	Burnished Brass (UK 522) Pack of 10 DIN right and left hand 1780 (UK 522)
Finish VPE DIN Article number	Polished Imitation Bronze (UK 523) DIN right and left hand 1780 (UK 523)