

TE 540 3D

for unrebated heavy-duty doors



Product features

- completely concealed hinge system
- for timber, steel or aluminium frames
- for unrebated heavy-duty doors
- sideways closed hinge body for a homogeneous mortise appearance
- comfortable 3D adjustment (side +/- 3.0 mm, height +/- 3.0 mm, compression +/- 1.0 mm)
- maintenance-free slide bearings

Technical data

Property	Value
Load capacity	120.0 kg
Overall length	200.0 mm
Width (door part)	32.0 mm
Width (frame part)	32.0 mm
Cutter diameter	24.0 mm
Collar ring diameter	30.0 mm
Opening angle	180°

Notes

Quality marks



CE certification



IFT certification



UL certification

warringtonfire

Warringtonfire certification



UKCA certification

Classification code

4	7	6	1 ¹	1	— ²	1	13
---	---	---	----------------	---	----------------	---	----

¹ Test evidence for functional doors to be achieved with full door sets and assemblies.

² depending on the finish

TECTUS - TE 540 3D

The load capacity mentioned above refers to the use of 2 hinges per door leaf (1 x 2 m), for detailed information please look at the chapter [technical information](#).

With an opening position of 180° the door may have to be fixed additionally.

The suitability for fire doors depends on the door construction.

Installation tools

Universal milling frame

Template 5 250680 5

step 1

Template 5 250681 5

step 2

Combinations

TE 540 3D FZ

TE 540 3D SZ

TE 540 3D ST

Function range

Smoke
resistance



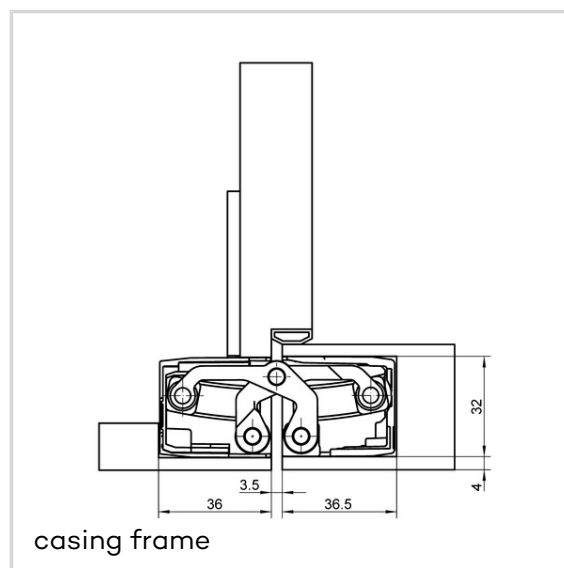
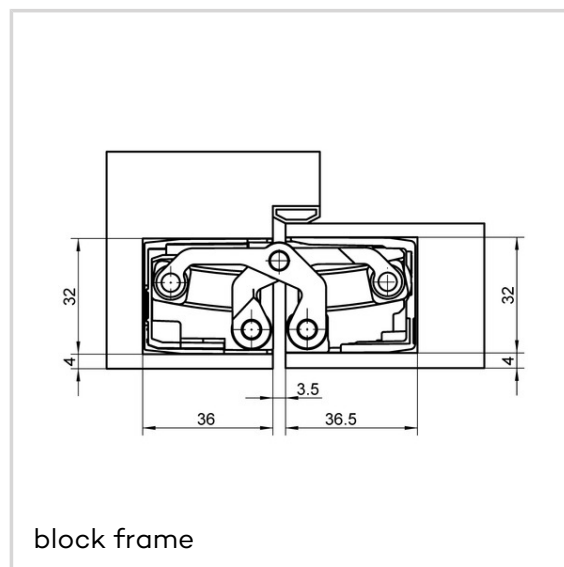
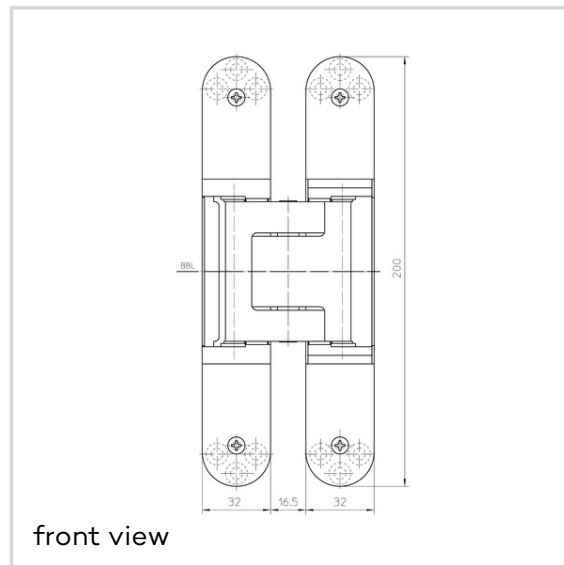
Soundproof



Burglar
resistance

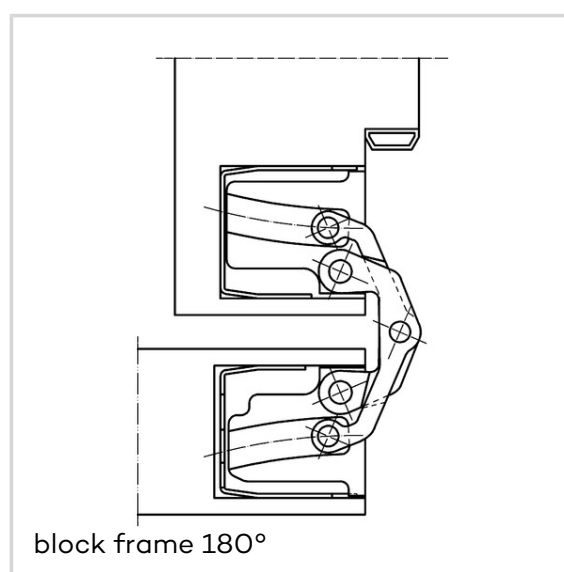
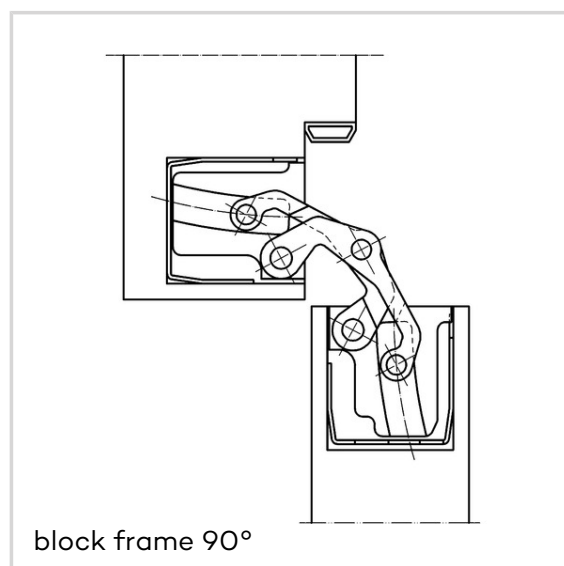
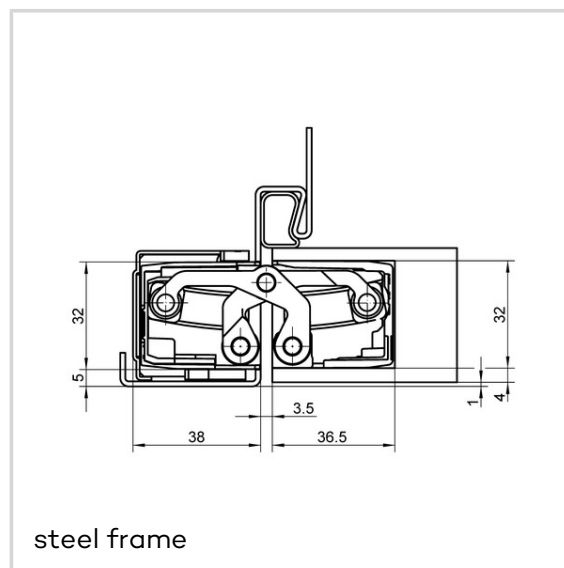
Item versions

Finish	polished brassed (SW 030)
VPE	Pack of 2
DIN	DIN right and left hand
Article number	5 400687 0 03002
EAN	4015471126162
Finish	polished nickelled (SW 038)
VPE	Pack of 2



TECTUS - TE 540 3D

DIN	DIN right and left hand
Article number	5 400687 0 03802
EAN	4015471126179
Finish	satin brassed (SW 047)
VPE	Pack of 2
DIN	DIN right and left hand
Article number	5 400687 0 04702
EAN	4015471131814
Finish	RAL 9016 Traffic White (SW 070)
VPE	Pack of 2
DIN	DIN right and left hand
Article number	5 400687 0 07002
EAN	4015471126131
Finish	RAL 9005 Matte Black (SW 107)
VPE	Pack of 2
DIN	DIN right and left hand
Article number	5 400687 0 10702
EAN	4015471126094
Finish	Satin Chrome Look (F1) (SW 124)
VPE	Pack of 2
DIN	DIN right and left hand
Article number	5 400687 0 12402
EAN	4015471125554
Finish	Satin Nickel Look (F2) (SW 125)
VPE	Pack of 2
DIN	DIN right and left hand
Article number	5 400687 0 12502
EAN	4015471126070
Finish	Stainless Steel Look (SSL) (SW 126)
VPE	Pack of 2
DIN	DIN right and left hand
Article number	5 400687 0 12602
EAN	4015471126209



TECTUS - TE 540 3D

Finish	Satin Nickel (SW 144)
VPE	Pack of 2
DIN	DIN right and left hand
Article number	5 400687 0 14402
EAN	4015471126254
Finish	Satin Chrome (SW 146)
VPE	Pack of 2
DIN	DIN right and left hand
Article number	5 400687 0 14602
EAN	4015471126261
Finish	Rustic Umber (SW 156)
VPE	Pack of 2
DIN	DIN right and left hand
Article number	5 400687 0 15602
EAN	4015471126148
Finish	Bronze Metallic (SW 168)
VPE	Pack of 2
DIN	DIN right and left hand
Article number	5 400687 0 16802
EAN	4015471126155
Finish	Bronze Finish (SW 174)
VPE	Pack of 2
DIN	DIN right and left hand
Article number	5 400687 0 17402
EAN	4015471126223
Finish	Bronze Finish light (SW 175)
VPE	Pack of 2
DIN	DIN right and left hand
Article number	5 400687 0 17502
EAN	4015471126230
Finish	Bronze Finish dark (SW 176)
VPE	Pack of 2
DIN	DIN right and left hand
Article number	5 400687 0 17602
EAN	4015471126247

