



## GL101-DK-O

non-locking tilt and turn window handle

### Product information

Code: 4103D002INXX2

Finish: satin stainless steel

UNIT: Piece

Collection: RIVIO

Designer: Gensler

EAN code: 8718009440759

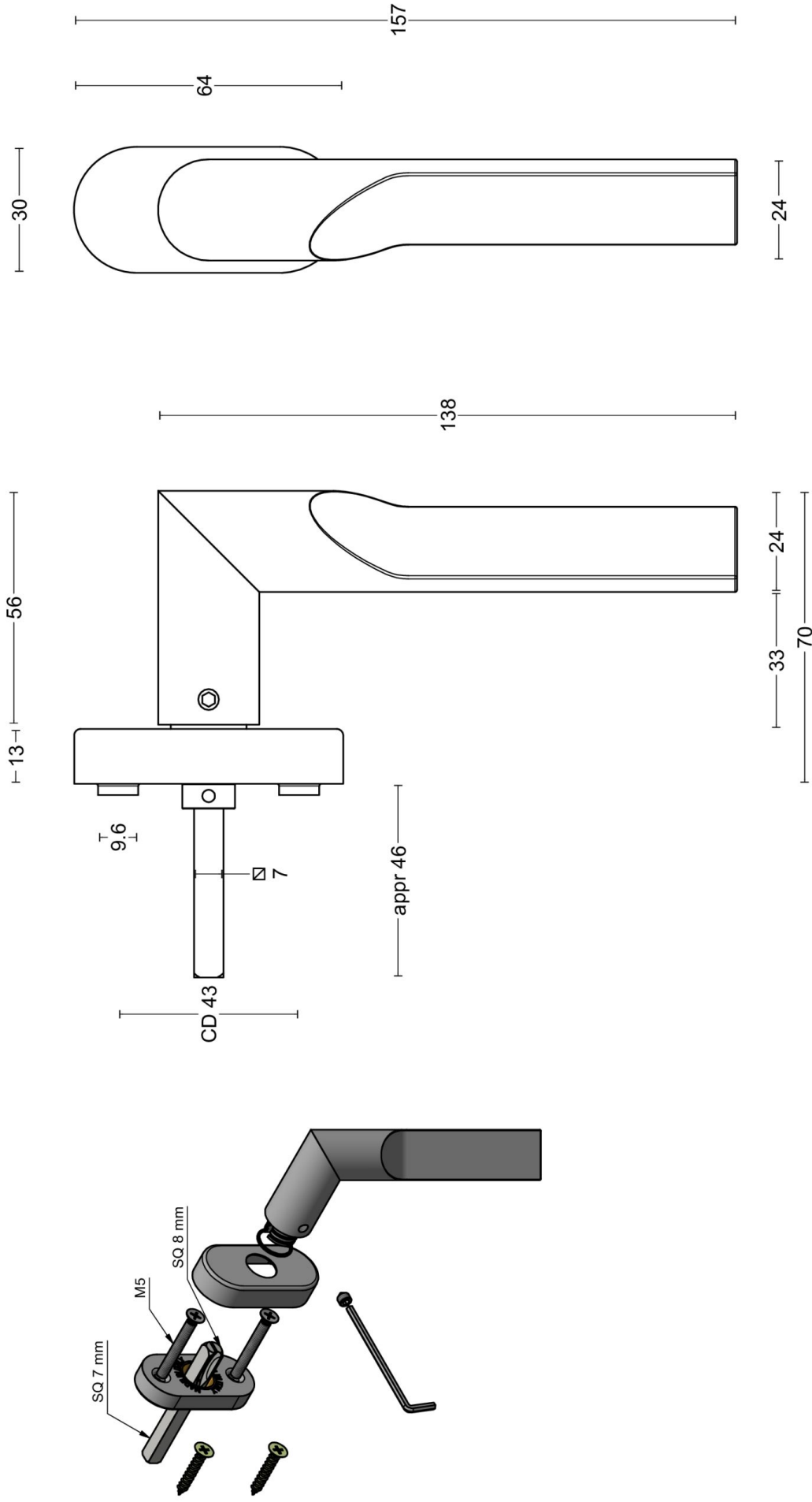
### RIVIO by Gensler

The RIVIO series is a total concept collection consisting of door, window, and furniture fittings.

### Finishes

- bronze
- PVD satin gold
- satin stainless steel
- PVD satin black
- bronze
- PVD satin gold
- satin stainless steel
- PVD satin black

**RIVIO GL101-DK-O**  
 non-locking tilt and turn window handle  
 stainless steel



<p><b>FORMANI®</b></p> <p>FORMANI HOLLAND B.V.                  EUROPALAAN 12                  6199 AB MAASTRICHT-AIRPORT NL                  T +31 (0)43 308.90.00                  WWW.FORMANI.COM</p>	<p>Type :</p> <p><b>RIVIO GL101-DK-O</b></p>	<p>Version:</p> <p>V01</p>
	<p>Description:</p> <p><b>non-locking tilt and turn window handle stainless steel</b></p>	<p>Format</p> <p><b>A3</b></p>
<p>Formani filename: 4103D002_1_GL101-DK-O_R_V01.dwg</p>		
<p>Drawn by: Semih Aslan</p>		
<p>Creation date: 31-8-2022</p>		

# RIVIO

by Gensler

**Transition was the watchword for Gensler when designing RIVIO. Based on the transition from something lighter to something more solid, the flowing cutaways allow the thumb and fingers to engage in a uniquely comfortable way, affording a better grip and making opening and closing easier. Carved through the centre of its circular section, the handle continues its way back to the whole at a gentle incline. Ergonomic and elegant, it's offered in two variants, with either a curve or a 90-degree angle leading to the neck and rose.**

# RIVIO

by Gensler



FORMANI®



# Gensler

Design philosophy: Based on the transition from something lighter to something more solid, the flowing cutaways allow the thumb and fingers to engage in a uniquely comfortable way, affording a better grip and making opening and closing easier.

**Gensler is a global architecture, design, and planning firm with 53 locations and more than 7,000 professionals networked across the Americas, Europe, Greater China, Asia Pacific, and the Middle East. Founded in 1965, the firm works globally with more than 4,000 clients across more than 29 practice areas spanning the work, lifestyle, community, and health sectors. We are guided by our mission to create a better world through the power of design, and the source of our strength is our people.**

# Brand story

**FORMANI has evolved considerably over the last few decades – from a Dutch family business to an internationally renowned designer brand, from door handles to total design concepts, from product development to collaborations with world-class designers. It was an evolution driven by pure ambition and courage. Our motto, ‘Obsessed with details’, epitomizes everything we do, from product to process, from strategy to service. Because it is these details that make the difference between good and perfect. At FORMANI, good is the enemy of great.**

---

Formani Holland b.v.  
Europalaan 12  
6199 AB  
Maastricht-Airport

T: +31(0)43 308 9000  
E: [info@formani.com](mailto:info@formani.com)

Chamber of Commerce:  
146 27 479

**FORMANI®**