



## PBL23P236SFC

solid unsprung door handle on blind plate

### Product information

Code: 2701D024INXX0F

Finish: satin stainless steel

UNIT: Pair

Collection: TWO

Designer: Piet Boon

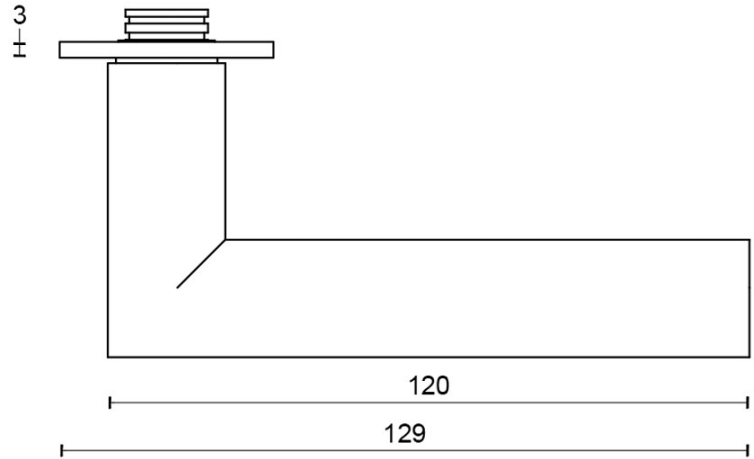
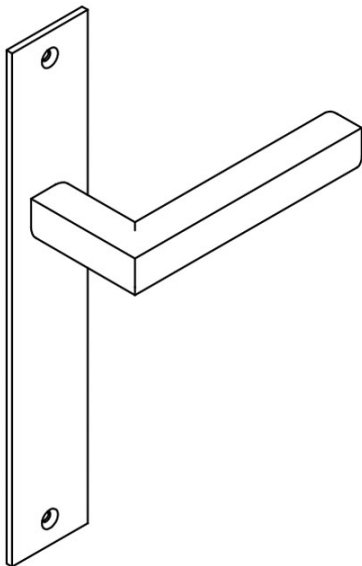
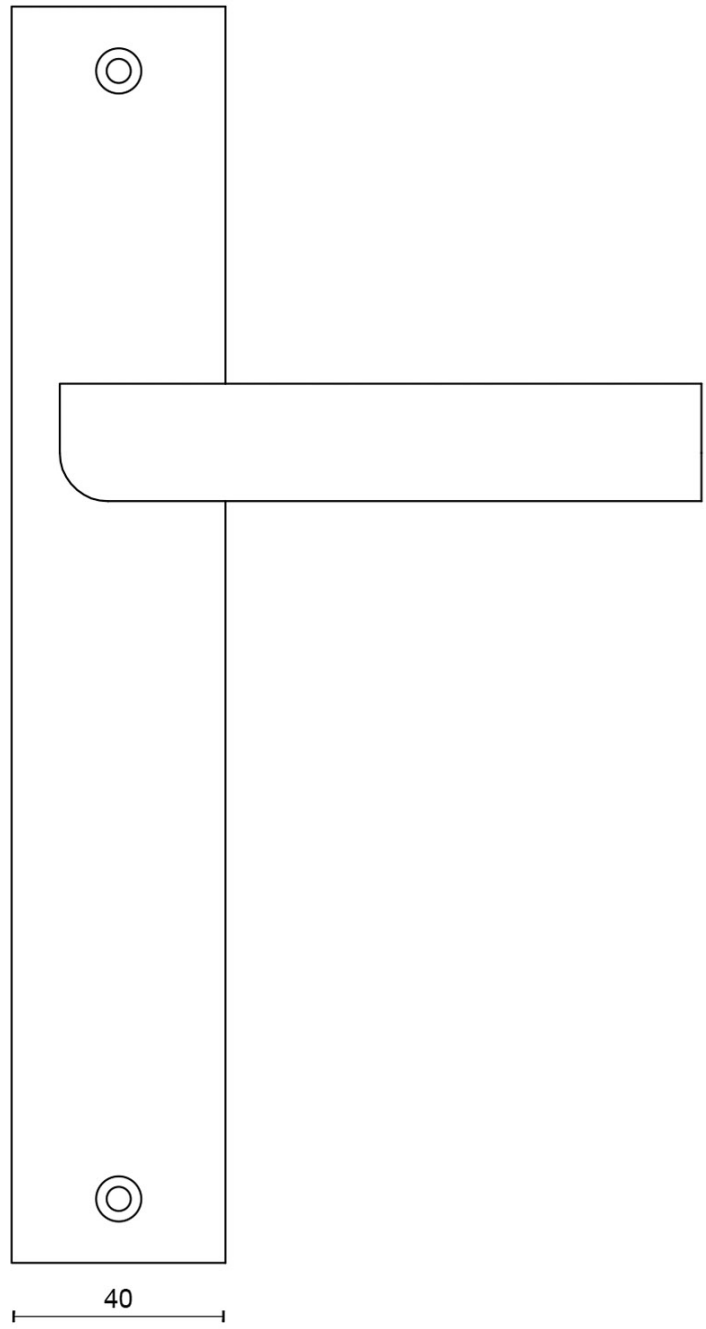
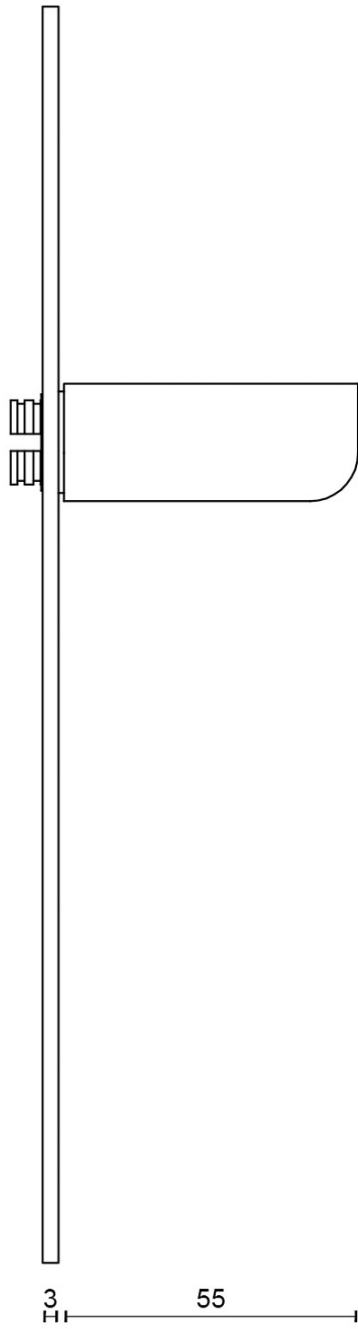
EAN code: 8718009212332

### TWO by Piet Boon

The TWO series is a total concept collection consisting of door, window, and furniture fittings.

### Finishes

- satin stainless steel



<h1>FORMANI®</h1>		Part number:	
		Description:	
Doc no.:	2701D024 PBL23P236SFC V02.dwg	<h2>PBL23P236SFC</h2>	Format:
Drawn by:	Christian Brimbois		Creation date:
Formani Holland B.V. · Amerikalaan 55 · 6199 AE Maastricht Airport · tel: +31 (0)43 308 90 00 · www.formani.nl · info@formani.nl			

# TWO

by Piet Boon

While the design of our TWO hardware series by Piet Boon may exude simplicity, it is in fact one of the most sophisticated products in the FORMANI collection. The intersection of the lever consists of two symmetrical parts that join in the middle of two separate arteries. Two out of three finishing combinations are with oak. The assembly of these fittings is completed with essential handwork that sees every piece of wood milled independently and fitted together with the stainless parts, like the pieces of an intricate puzzle. This complex, hand-made product is testament to many hours of hard work and dedication. The result is a truly stunning, unique design. This comprehensive collection of concepts door, window and furniture fittings is offered in three different expressions. First is the combination of stainless steel with natural oak; second is the line made from stainless steel and blackened oak; and third is the 100% stainless steel line.

# TWO

by Piet Boon



FORMANI®



# Piet Boon

Koog aan de Zaan, 1958

Design philosophy: Balancing functionality, aesthetics and individuality.

**Studio Piet Boon and FORMANI believe in the beauty of simplicity combined with quality and functionality. We share the vision that doorware is an essential part of any project and gives a first impression when entering a room. It's the first handshake with the building. The clean lines and geometric designs of the FORMANI by Piet Boon collections are pure, iconic, recognizable, and yet neutral. The models originated from the vision to explore a different design language, but one which is in harmony with the identity of Studio Piet Boon.**

# Brand story

**FORMANI has evolved considerably over the last few decades – from a Dutch family business to an internationally renowned designer brand, from door handles to total design concepts, from product development to collaborations with world-class designers. It was an evolution driven by pure ambition and courage. Our motto, ‘Obsessed with details’, epitomizes everything we do, from product to process, from strategy to service. Because it is these details that make the difference between good and perfect. At FORMANI, good is the enemy of great.**

---

Formani Holland b.v.  
Europalaan 12  
6199 AB  
Maastricht-Airport

T: +31(0)43 308 9000  
E: [info@formani.com](mailto:info@formani.com)

Chamber of Commerce:  
146 27 479

**FORMANI®**