



## PBL20P236SFC

solid unsprung door handle on blind plate

### Product information

Code: 2701D004INXX0F

Finish: satin stainless steel

UNIT: Pair

Collection: ONE

Designer: Piet Boon

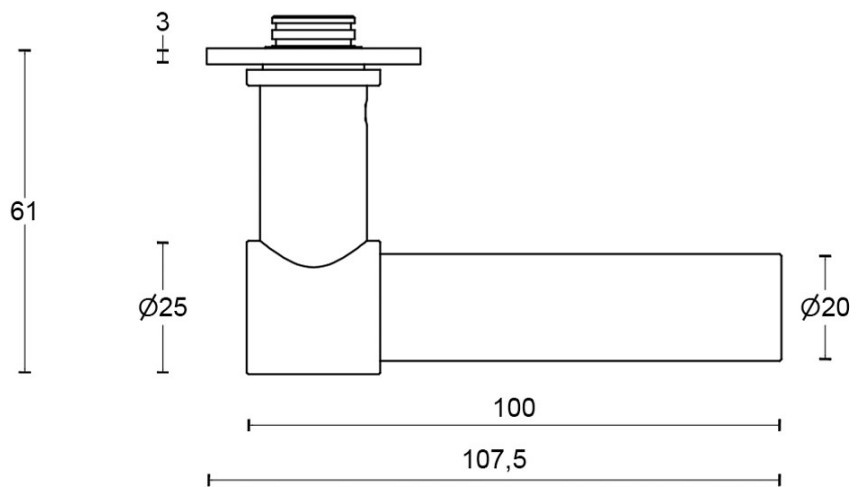
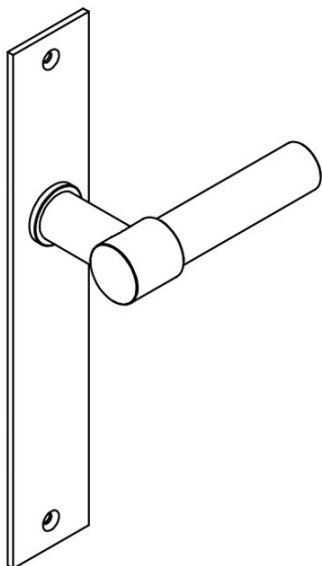
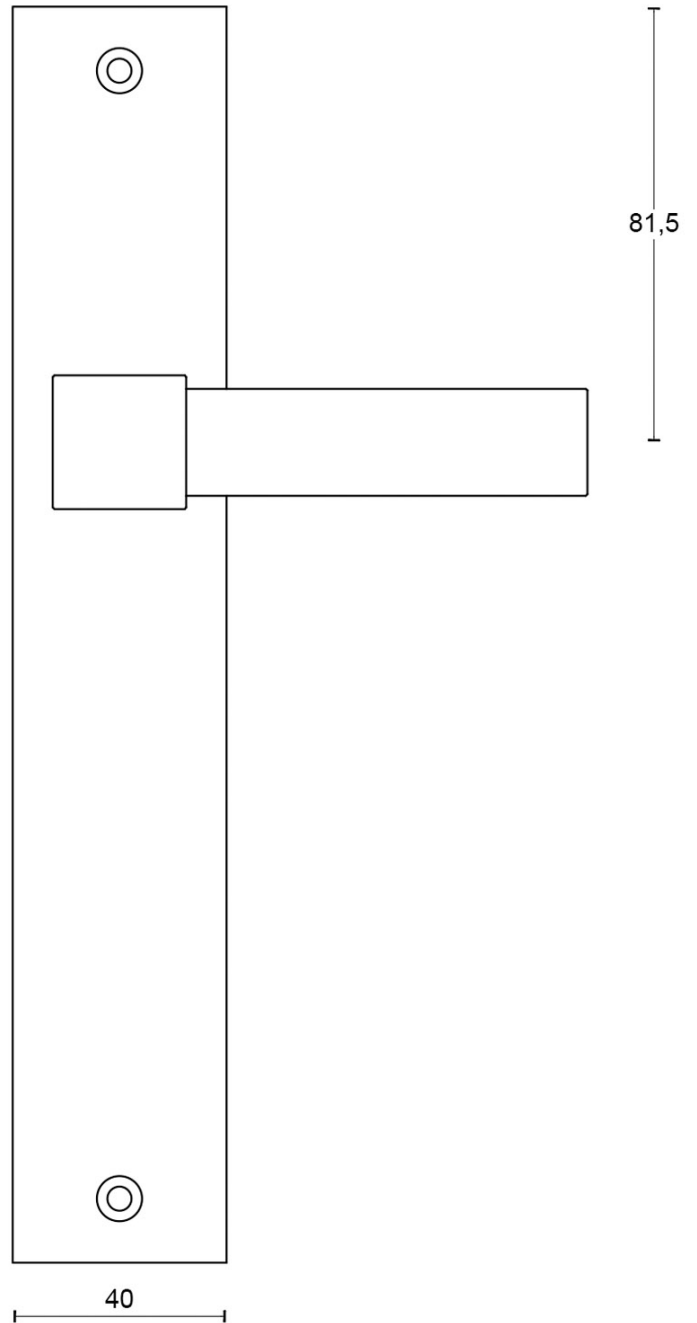
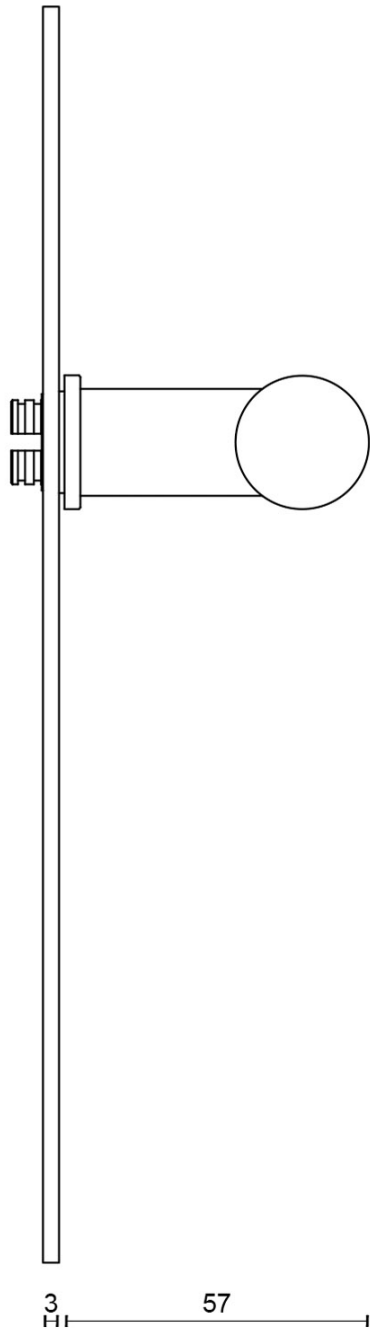
EAN code: 8718009167106

### ONE by Piet Boon

The ONE series consists of door, window, and furniture fittings and is complemented by bathroom accessories such as soap dispensers and toilet brush holders, which serve to enrich spaces and create a harmonious whole.

### Finishes

- satin stainless steel
- satin black
- bronze
- white
- PVD satin black
- PVD satin gold



<h1>FORMANI®</h1>		Part number: 2701D004 PBL20P236SFC V01	
		Description: <b>PBL20P236SFC</b>	
Doc no.:	2701D004 PBL20P236SFC V01.dwg	<b>A3</b>	Format:
Drawn by:	Christian		Creation date:
Formani Holland B.V. · Amerikalaan 55 · 6199 AE Maastricht Airport · tel: +31 (0)43 308 90 00 · www.formani.nl · info@formani.nl			

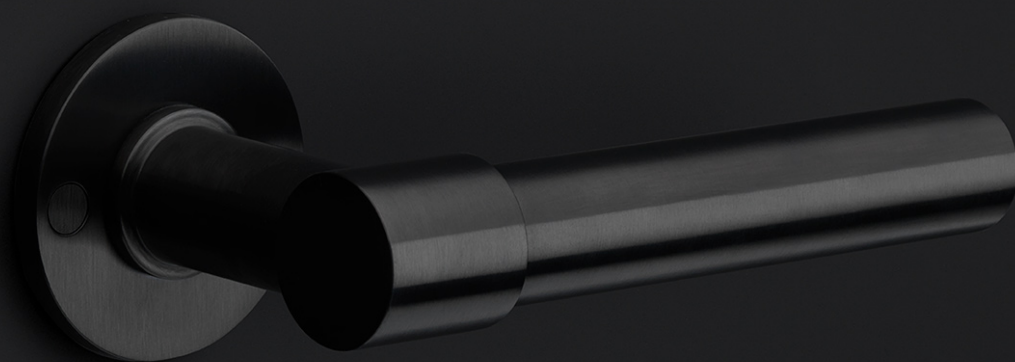
# ONE

by Piet Boon

**Simplicity is the essence of the design of our iconic ONE hardware series by Piet Boon, with the cylindrical volume forming its core. The clean lines and high-quality finish embody beauty and refinement, forming a coherent, elegant whole. It's safe to say that the ONE series has developed into a true icon in the world of door handles and interior design.**

# ONE

by Piet Boon



FORMANI®



# Piet Boon

Koog aan de Zaan, 1958

Design philosophy: Balancing functionality, aesthetics and individuality.

**Studio Piet Boon and FORMANI believe in the beauty of simplicity combined with quality and functionality. We share the vision that doorware is an essential part of any project and gives a first impression when entering a room. It's the first handshake with the building. The clean lines and geometric designs of the FORMANI by Piet Boon collections are pure, iconic, recognizable, and yet neutral. The models originated from the vision to explore a different design language, but one which is in harmony with the identity of Studio Piet Boon.**

# Brand story

**FORMANI has evolved considerably over the last few decades – from a Dutch family business to an internationally renowned designer brand, from door handles to total design concepts, from product development to collaborations with world-class designers. It was an evolution driven by pure ambition and courage. Our motto, ‘Obsessed with details’, epitomizes everything we do, from product to process, from strategy to service. Because it is these details that make the difference between good and perfect. At FORMANI, good is the enemy of great.**

---

Formani Holland b.v.  
Europalaan 12  
6199 AB  
Maastricht-Airport

T: +31(0)43 308 9000  
E: [info@formani.com](mailto:info@formani.com)

Chamber of Commerce:  
146 27 479

**FORMANI®**