



PBL15-DKLOCK

locking tilt and turn window handle

Product information

Code: 2703D021INXX0

Finish: satin stainless steel

UNIT: Piece

Collection: ONE

Designer: Piet Boon

EAN code: 8718009164785

ONE by Piet Boon

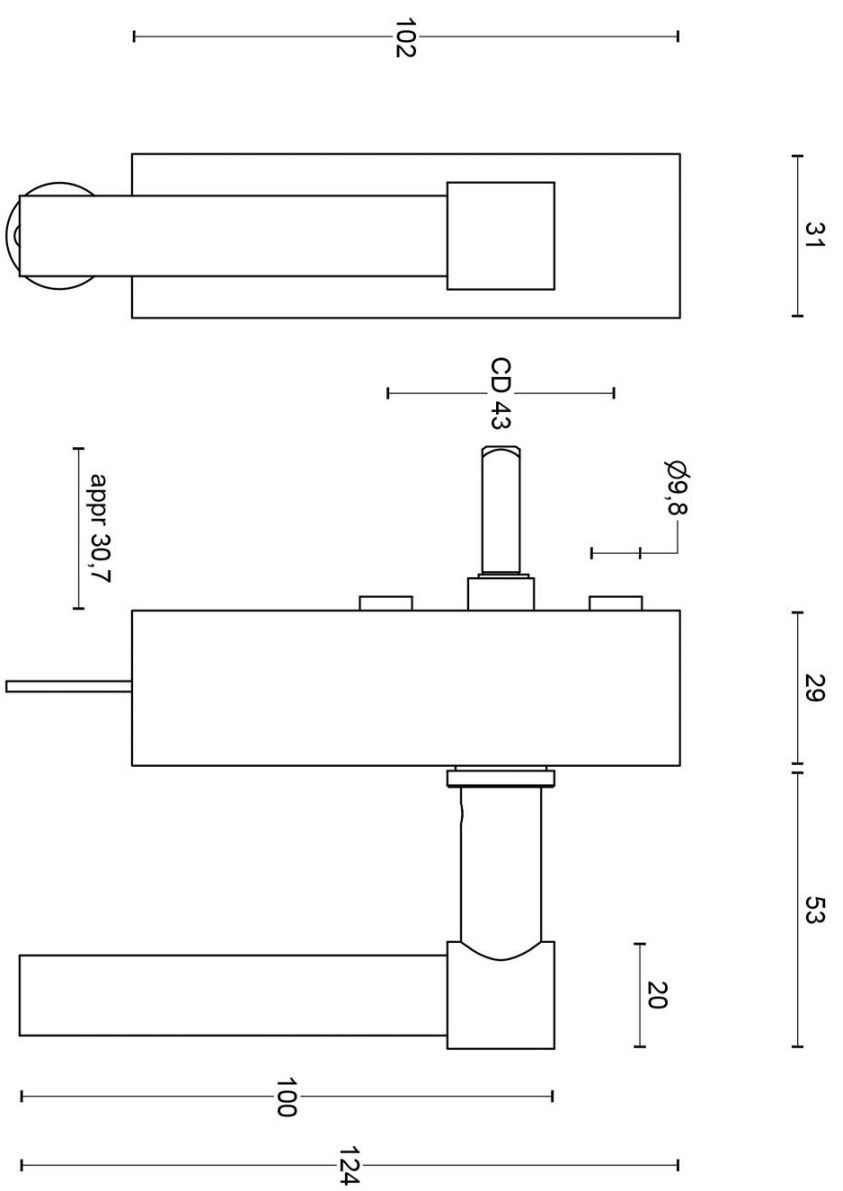
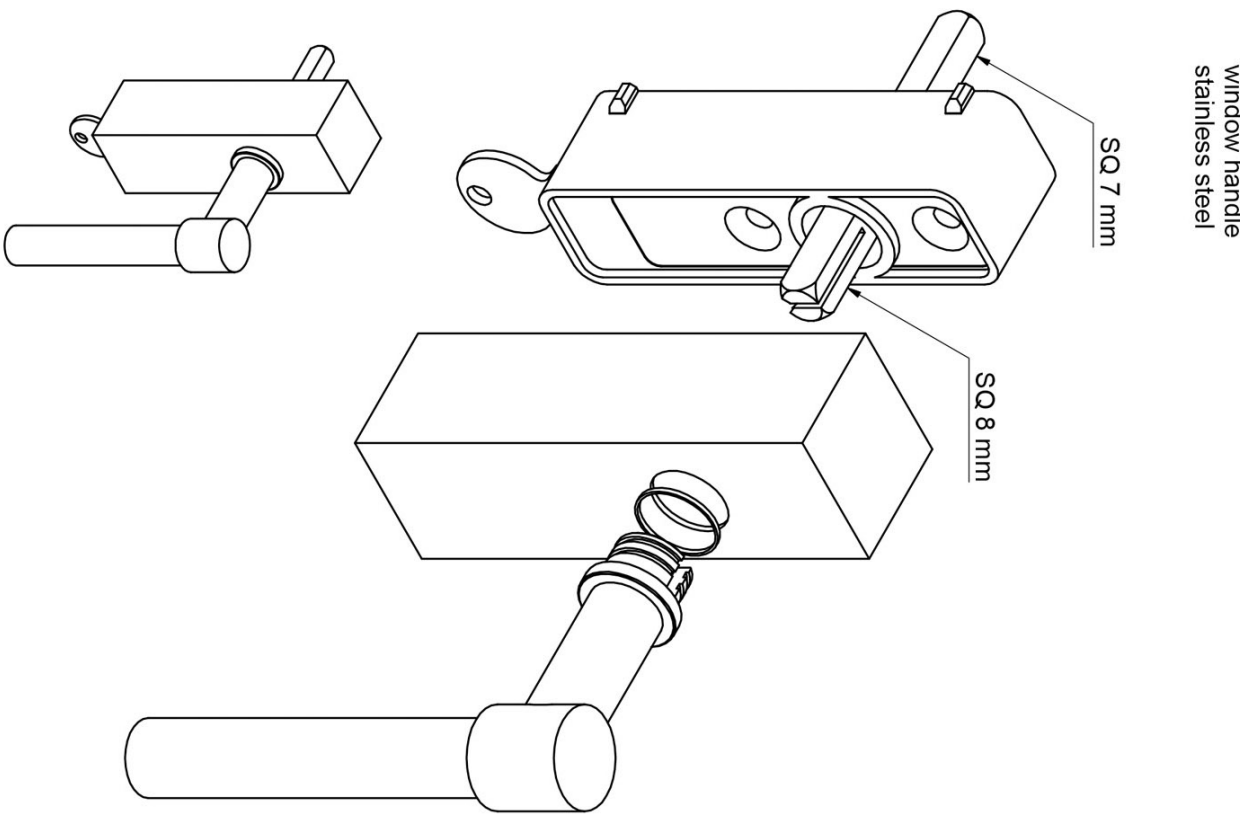
The ONE series consists of door, window, and furniture fittings and is complemented by bathroom accessories such as soap dispensers and toilet brush holders, which serve to enrich spaces and create a harmonious whole.

Finishes

- satin stainless steel
- satin black
- bronze
- white
- PVD satin black
- PVD satin gold

PBL15-DKLOCK

locking tilt and turn
window handle
stainless steel



FORMANI®

Part number:

Description:

Format:

Doc no.: 2703D021 PBL15DKLOCK V01.dwg

Drawn by: Christian Brimbois Creation date: 22-3-2013

PBL15-DKLOCK

A3

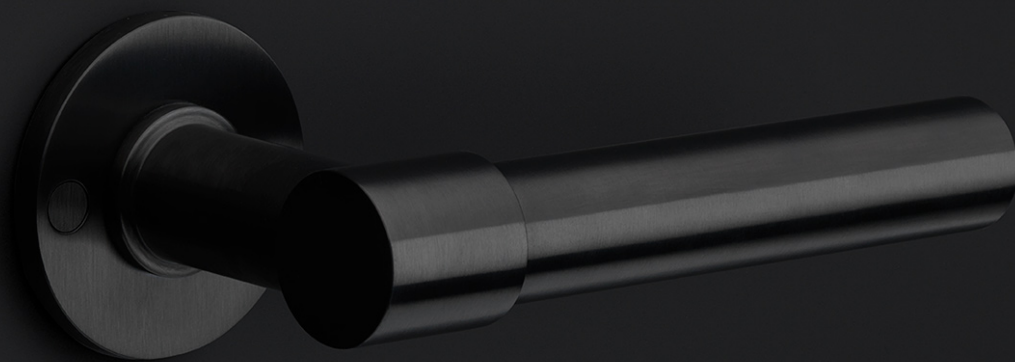
ONE

by Piet Boon

Simplicity is the essence of the design of our iconic ONE hardware series by Piet Boon, with the cylindrical volume forming its core. The clean lines and high-quality finish embody beauty and refinement, forming a coherent, elegant whole. It's safe to say that the ONE series has developed into a true icon in the world of door handles and interior design.

ONE

by Piet Boon



FORMANI®



Piet Boon

Koog aan de Zaan, 1958

Design philosophy: Balancing functionality, aesthetics and individuality.

Studio Piet Boon and FORMANI believe in the beauty of simplicity combined with quality and functionality. We share the vision that doorware is an essential part of any project and gives a first impression when entering a room. It's the first handshake with the building. The clean lines and geometric designs of the FORMANI by Piet Boon collections are pure, iconic, recognizable, and yet neutral. The models originated from the vision to explore a different design language, but one which is in harmony with the identity of Studio Piet Boon.

Brand story

FORMANI has evolved considerably over the last few decades – from a Dutch family business to an internationally renowned designer brand, from door handles to total design concepts, from product development to collaborations with world-class designers. It was an evolution driven by pure ambition and courage. Our motto, ‘Obsessed with details’, epitomizes everything we do, from product to process, from strategy to service. Because it is these details that make the difference between good and perfect. At FORMANI, good is the enemy of great.

Formani Holland b.v.
Europalaan 12
6199 AB
Maastricht-Airport

T: +31(0)43 308 9000
E: info@formani.com

Chamber of Commerce:
146 27 479

FORMANI®