



## PBI103P236SFC

solid unsprung door handle on blind plate

### Product information

Code: 3601D024INXX0F

Finish: satin stainless steel

UNIT: Pair

Collection: INC

Designer: Piet Boon

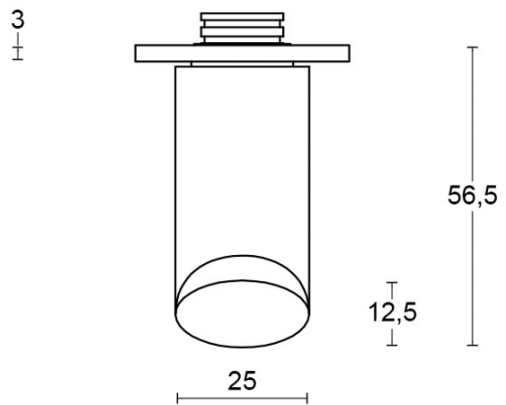
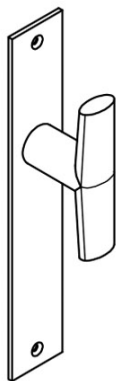
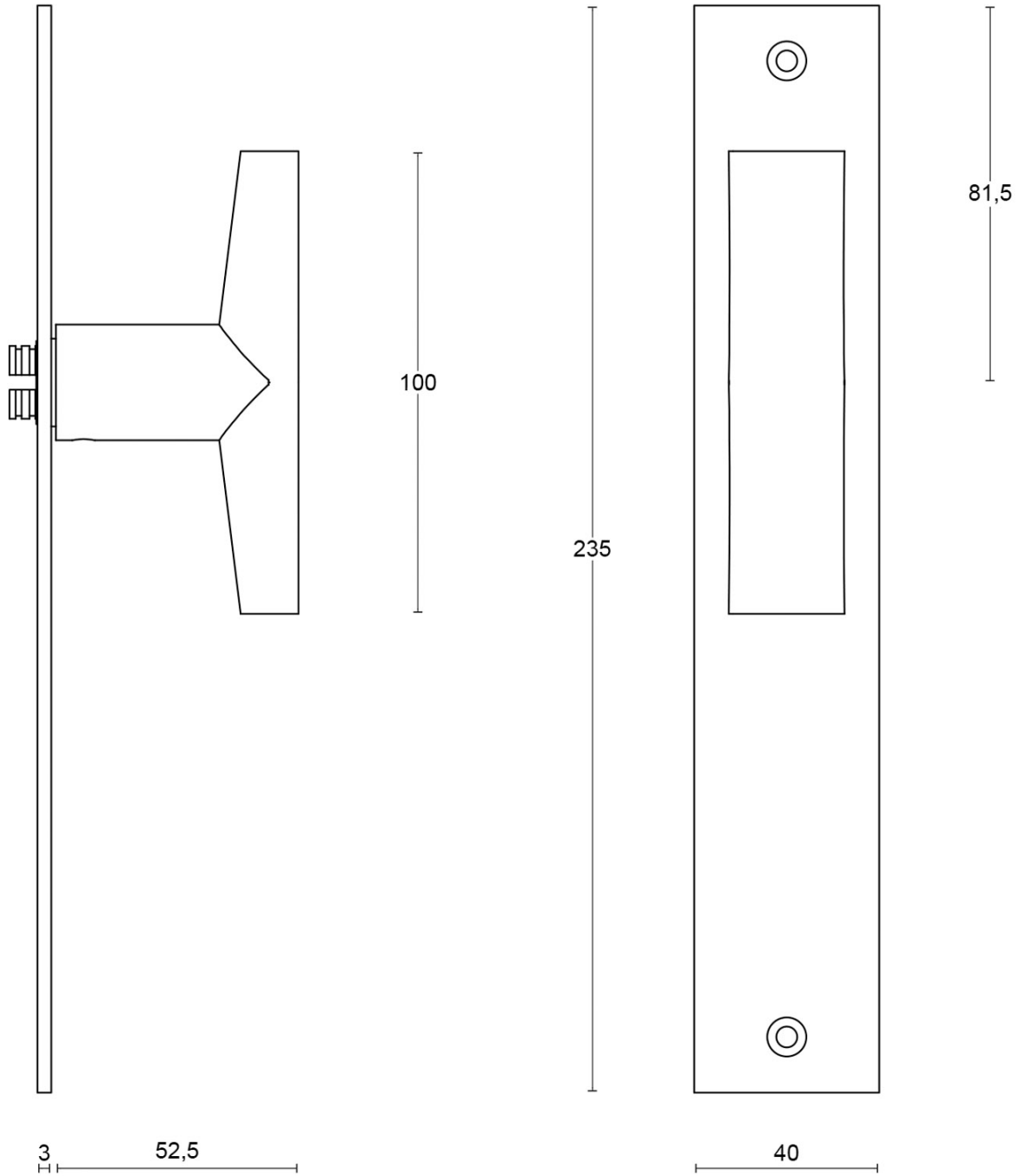
EAN code: 8718009384800

### INC by Piet Boon

The INC series is a total concept collection consisting of door, window, and furniture fittings.

### Finishes

- satin stainless steel
- PVD satin black



<b>FORMANI®</b>		Part number:	
		Description:	
Doc no.: 3601D024 PBI103P236SFC V01.dwg			Format:
Drawn by: Christian Brimbois			Creation date: 15-2-2019
FORMANI HOLLAND B.V. EUROPALAAN 12 6199 AB MAASTRICHT-AIRPORT NL T +31 (0)43 308 90 00 INFO@FORMANI.COM FORMANI.COM			

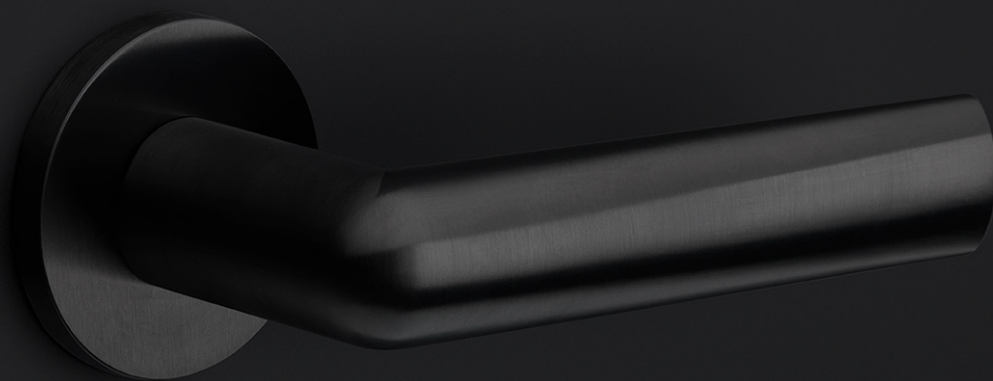
# INC

by Piet Boon

**Smooth curves and an excellent grip is what characterizes our INC hardware series by Piet Boon. Starting out as a circular cylinder volume, the INC took shape after flattening the circle and tapering the end. This provides the handle with a smooth inclination, to which the INC is named. The INC door handle has won the Red Dot Design Award 2019 in the 'Product Design' category. The Jury commented that 'the ingenious design of the INC door handle blends a flowing yet powerful design vocabulary with pleasing haptic properties'. The winning door handle is part of the total concept collection consisting of door, window, and furniture fittings alongside other accessories. The INC series is available in two finishes, including our latest PVD satin black and satin stainless steel.**

# INC

by Piet Boon



FORMANI®



# Piet Boon

Koog aan de Zaan, 1958

Design philosophy: Balancing functionality, aesthetics and individuality.

**Studio Piet Boon and FORMANI believe in the beauty of simplicity combined with quality and functionality. We share the vision that doorware is an essential part of any project and gives a first impression when entering a room. It's the first handshake with the building. The clean lines and geometric designs of the FORMANI by Piet Boon collections are pure, iconic, recognizable, and yet neutral. The models originated from the vision to explore a different design language, but one which is in harmony with the identity of Studio Piet Boon.**

# Brand story

**FORMANI has evolved considerably over the last few decades – from a Dutch family business to an internationally renowned designer brand, from door handles to total design concepts, from product development to collaborations with world-class designers. It was an evolution driven by pure ambition and courage. Our motto, ‘Obsessed with details’, epitomizes everything we do, from product to process, from strategy to service. Because it is these details that make the difference between good and perfect. At FORMANI, good is the enemy of great.**

---

Formani Holland b.v.  
Europalaan 12  
6199 AB  
Maastricht-Airport

T: +31(0)43 308 9000  
E: [info@formani.com](mailto:info@formani.com)

Chamber of Commerce:  
146 27 479

**FORMANI®**