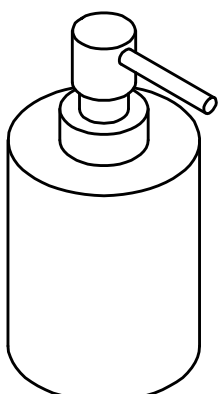
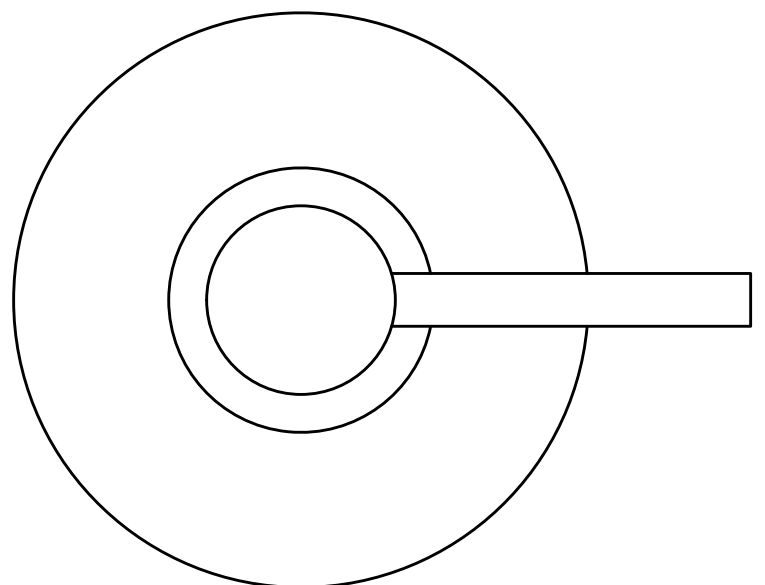
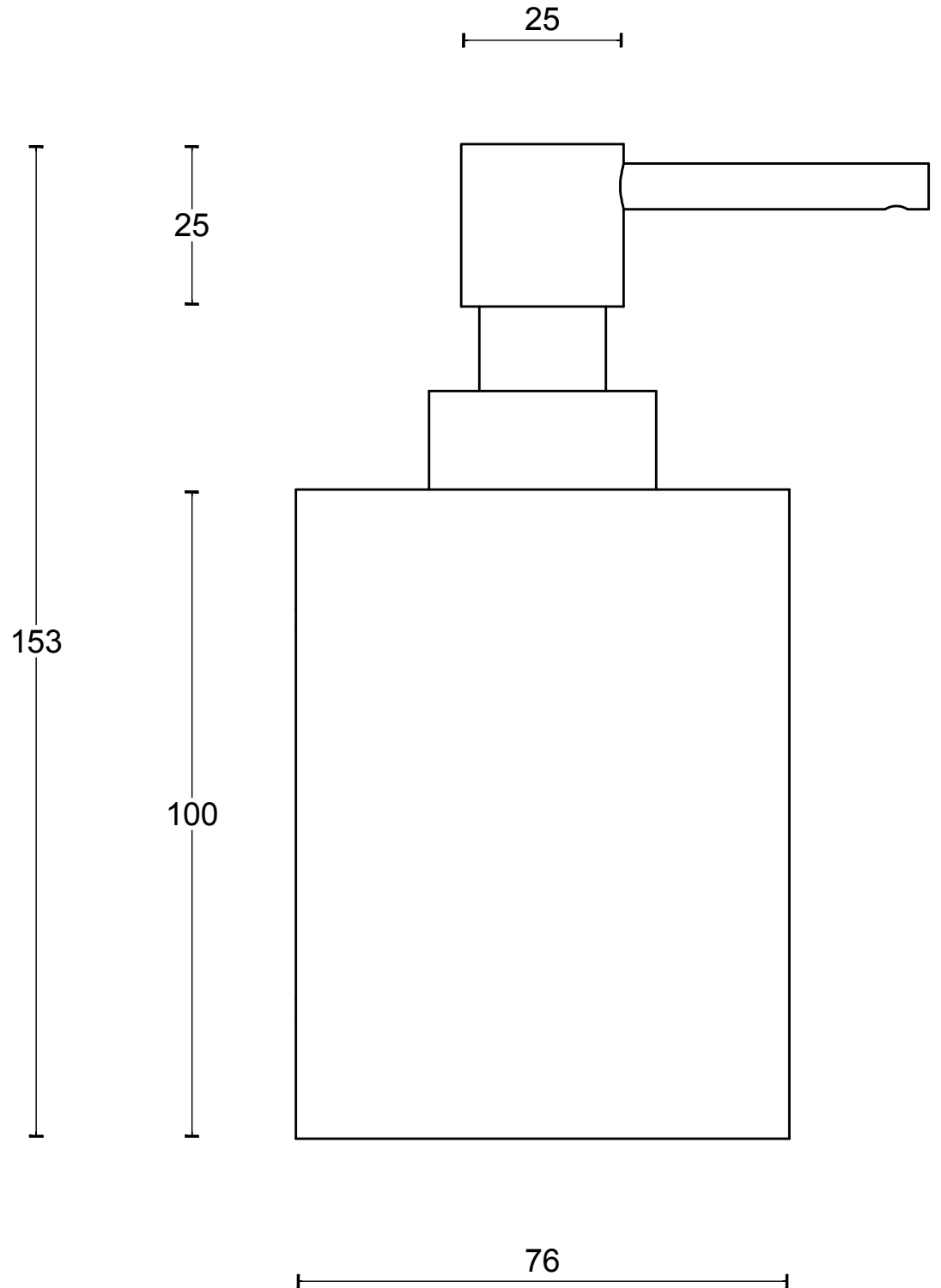
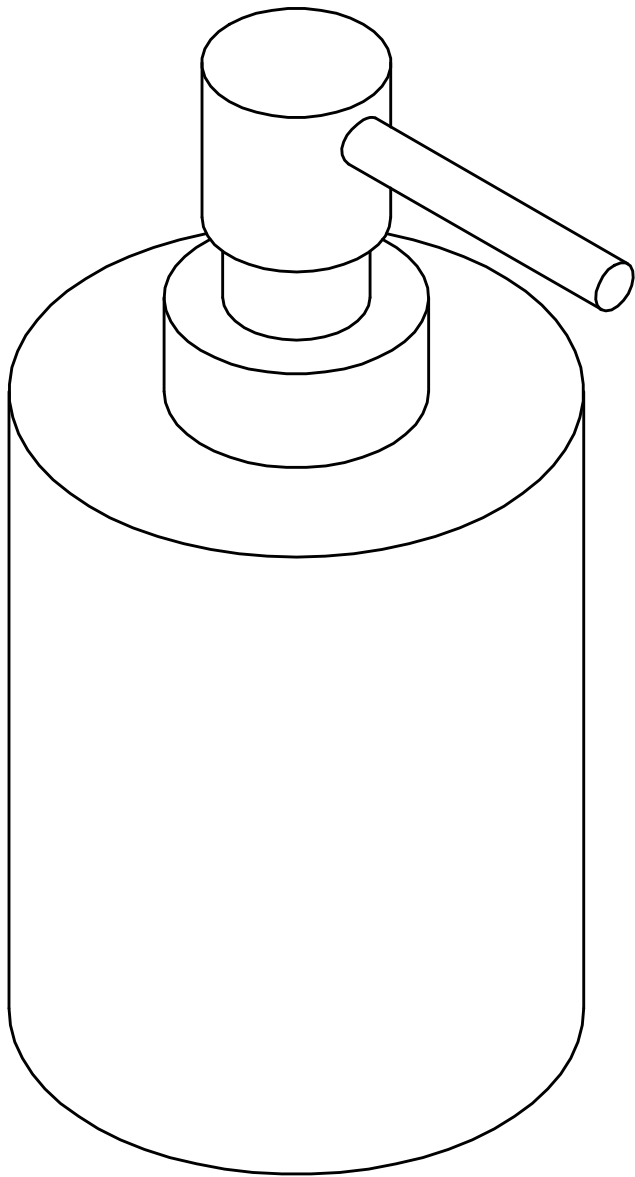


PB500

soap dispenser
 free standing
 stainless steel AISI 316



<h1>FORMANI[®]</h1>		Part number:		
		Description:		Format:
Doc no.:	2706A042 PB500 V02.dwg	<h2>PB500</h2>		<h2>A3</h2>
Drawn by:	Christian Brimbois			
FORMANI HOLLAND B.V. EUROPALAAN 12 6199 AB MAASTRICHT-AIRPORT NL T +31 (0)43 308 90 00 INFO@FORMANI.COM FORMANI.COM				