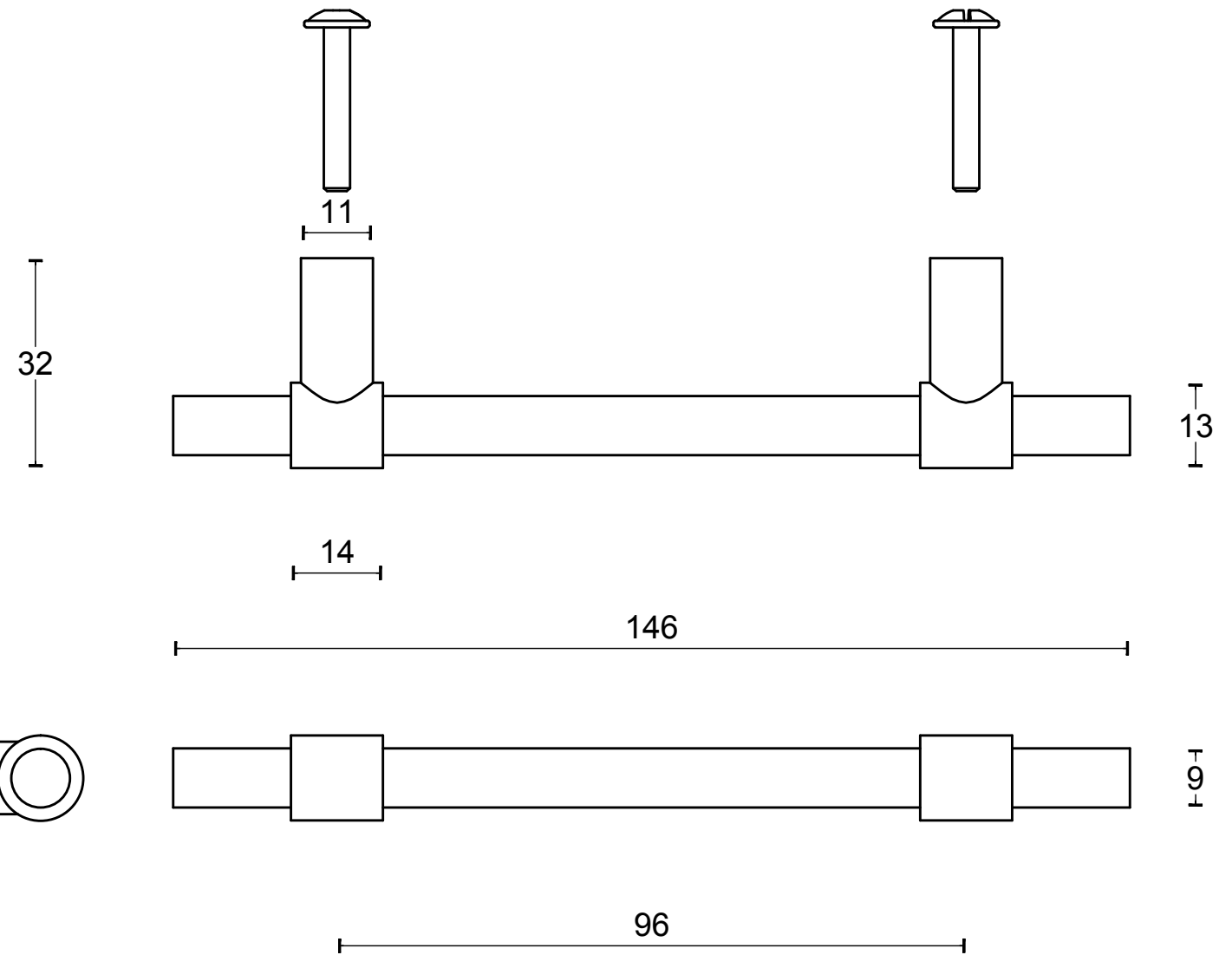
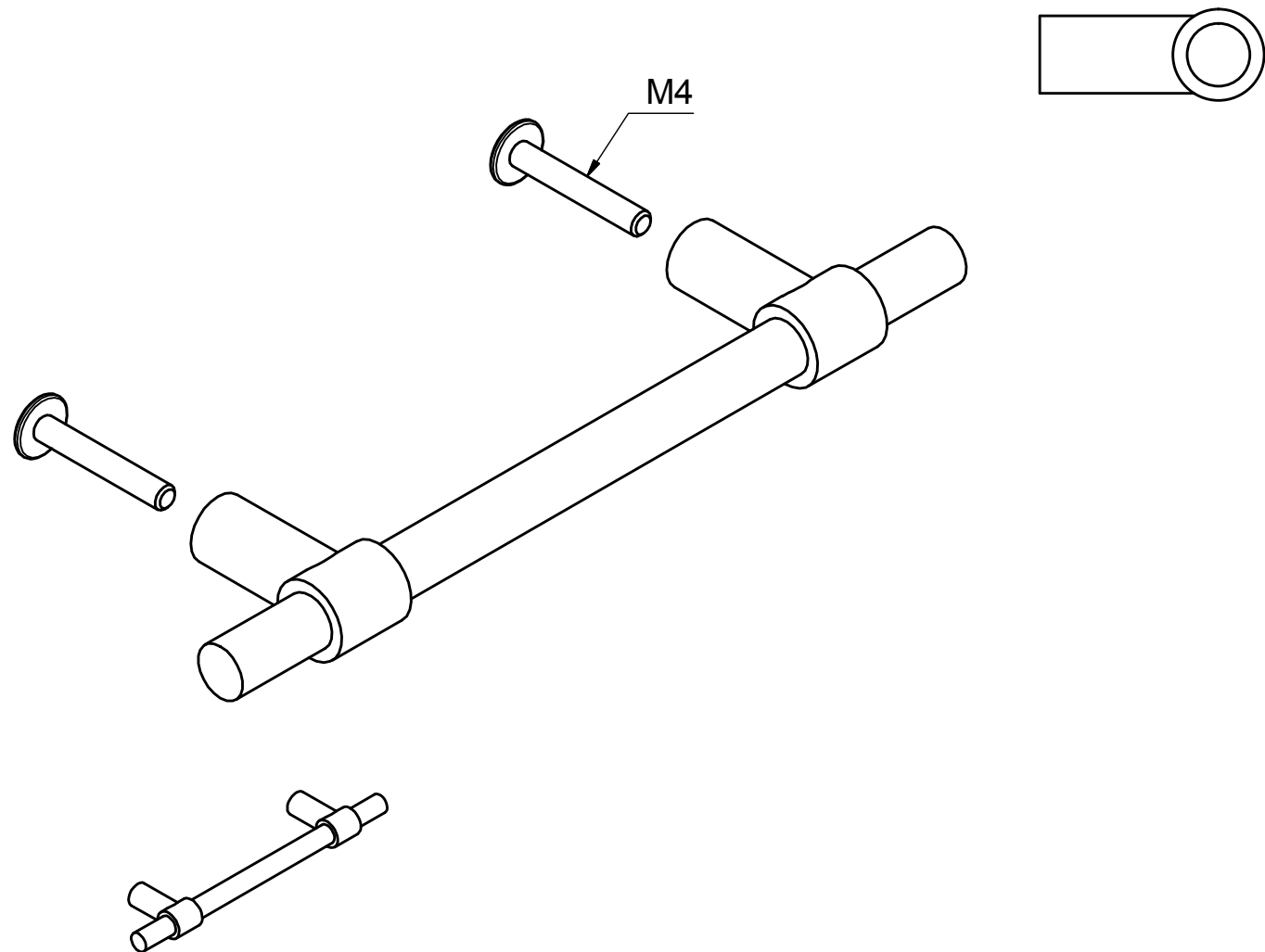


PB195/96

solid cabinet handle
stainless steel



| | | | |
|--|---------------------------|-------------------|----------------|
| <h1>FORMANI®</h1> | | Part number: | |
| | | Description: | |
| Doc no.: | 2704M001 PB195-96 V01.dwg | <h2>PB195/96</h2> | Format: |
| Drawn by: | Christian Brimbois | | Creation date: |
| Formani Holland B.V. · Amerikalaan 55 · 6199 AE Maastricht Airport · tel: +31 (0)43 308 90 00 · www.formani.nl · info@formani.nl | | | |

A3