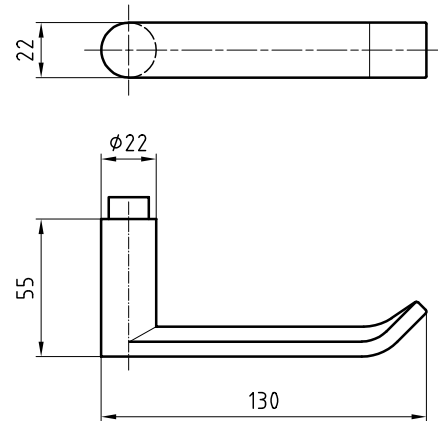


## 5088 Zurich

Stainless steel lever handle



Picture shows handle with 5620C rose

### Product profile

Banks, commercial buildings, administrative centres

### Standard version

- Satin stainless steel surface
- Lever handle length 130 mm, Ø 22 mm
- Projection 55 mm
- Prepared for fixed mobile mounting with easyfix
- Steel galvanised square spindle
- 16-mm Glutz glide bearing, tested for 2.5 million cycles

### Options

16-mm twin bearing with easyfix (fixed mobile)

### Standards

### Important note

To achieve usage class 4 in accordance with EN 1906, a 9-mm steel or 8-mm stainless steel square spindle is needed

### 5088 · 1 · 2 · 3 · 4 · 5 · 6

1 Execution	2 Guide	3 Spindle	4 Bolt length	5 Spindle material	6 Surface
00 Lochteil	0 glide	80 8 mm	00 Without	0 Without	00 Stainless steel matt
10 Stifftteil	8 twin halbauswärts	85 8,5 mm	06 84 mm	1 Galvanized steel	11 Stainless steel polished
50 Paar		90 9 mm	12 109 mm	2 Stainless steel	44 Antibacterial
			99 Auf Anfrage		51 RAL 9005 black matt
					99 On request