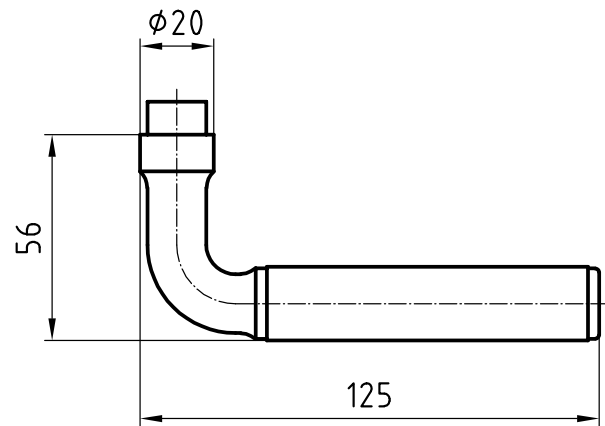


5087 INOX Basle

Stainless steel lever handle



Picture shows handle with 5620C rose

Product profile

Commercial buildings, administrative centres and superior quality residential developments

Standard version

Satin stainless steel surface
 Lever handle length 125 mm, Ø 20 mm
 Projection 56 mm
 Prepared for fixed mobile mounting with easyfix
 Steel galvanised square spindle
 16-mm Glutz glide bearing, tested for 2.5 million cycles

Options

16-mm twin bearing with easyfix (fixed mobile)

Important note

To achieve usage class 4 in accordance with EN 1906, a 9-mm steel or 8-mm stainless steel square spindle is needed

5087 · ① · ② · ③ · ④ · ⑤ · ⑥ · ⑦

① Execution	② Guide	③ Spindle	④ Bolt length	⑤ Spindle material	⑥ Surface	⑦ 1025_Oberfläche Hülse
00 Lochteil	0 glide	80 8 mm	00 Without	0 Without	00 Stainless steel matt	00 Edelstahl matt
10 Stifteil	8 twin halbauswärts	85 8,5 mm	04 79 mm	1 Galvanized steel	11 Stainless steel polished	11 Edelstahl poliert
50 Paar		90 9 mm	10 104 mm	2 Stainless steel	44 Antibacterial	44 Antibakteriell
			99 Auf Anfrage		51 RAL 9005 black matt	67 RAL 9010 weiss
					99 On request	68 RAL 9011 schwarz
						99 Auf Anfrage