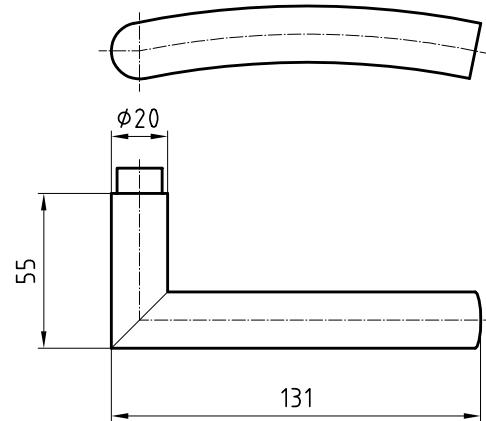


5076 Helena

Stainless steel lever handle



Picture shows handle with 5620C rose

Product profile

Commercial buildings, administrative centres and superior quality residential developments

Standard version

- Satin stainless steel surface
- Lever handle length 131 mm, ϕ 20 mm
- Projection 55 mm
- Prepared for fixed mobile mounting with easyfix
- Steel galvanised square spindle
- 16-mm Glutz glide bearing, tested for 2.5 million cycles

Options

16-mm twin bearing with easyfix (fixed mobile)

Important note

To achieve usage class 4 in accordance with EN 1906, a 9-mm steel or 8-mm stainless steel square spindle is needed

5076 · ① · ② · ③ · ④ · ⑤ · ⑥

① Execution	② Guide	③ Spindle	④ Bolt length	⑤ Spindle material	⑥ Surface
01 Lochteil links	0 glide	80 8 mm	00 Without	0 Without	00 Stainless steel matt
02 Lochteil rechts	8 twin halbauswärts	85 8,5 mm	06 84 mm	1 Galvanized steel	11 Stainless steel polished
11 Stifftteil links		90 9 mm	12 109 mm	2 Stainless steel	44 Antibacterial
12 Stifftteil rechts			99 Auf Anfrage		51 RAL 9005 black matt
52 Paar Stifftteil links					99 On request
53 Paar Stifftteil rechts					