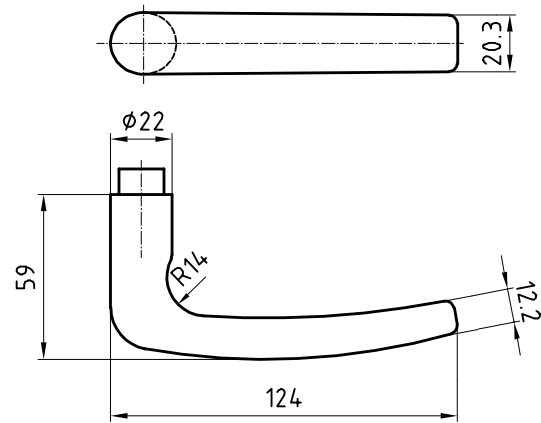


## 5060 Zug Stainless steel lever handle



Picture shows handle with 5620C rose

### Product profile

Commercial buildings, administrative centres and superior quality residential developments

### Standard version

Satin stainless steel surface  
Lever handle length 124 mm, Ø 22 mm  
Projection 59 mm  
Prepared for fixed mobile mounting with easyfix  
Steel galvanised square spindle  
16-mm Glutz glide bearing, tested for 2.5 million cycles

### Options

16-mm twin bearing with easyfix (fixed mobile)

### Important note

To achieve usage class 4 in accordance with EN 1906, a 9-mm steel or 8-mm stainless steel square spindle is needed

### 5060 · ① · ② · ③ · ④ · ⑤ · ⑥

① Execution	② Guide	③ Spindle	④ Bolt length	⑤ Spindle material	⑥ Surface
00 Lochteil	0 glide	80 8 mm	00 Without	0 Without	00 Stainless steel matt
10 Stifteil	1 twin glide	85 8,5 mm	06 84 mm	1 Galvanized steel	11 Stainless steel polished
50 Paar		90 9 mm	12 109 mm	2 Stainless steel	44 Antibacterial
			99 Auf Anfrage		51 RAL 9005 black matt
					99 On request