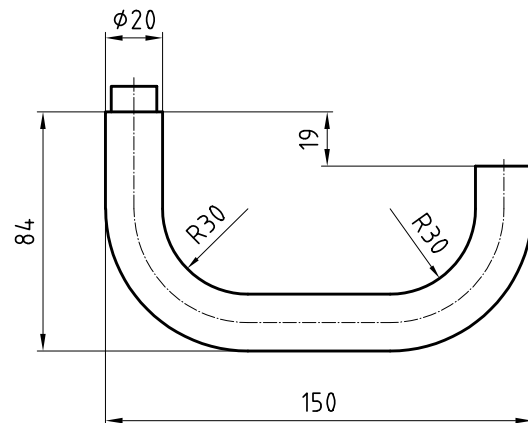


5055 Malmö

Stainless steel lever handle



Picture shows handle with 5620C rose

Product profile

Hospitals, commercial buildings, administrative centres

Standard version

Satin stainless steel surface

Lever handle length 150 mm, Ø 20 mm

Projection 84 mm

Prepared for fixed mobile mounting with easyfix

Steel galvanised square spindle

16-mm Glutz glide bearing, tested for 2.5 million cycles

Options

16-mm twin bearing with easyfix (fixed mobile)

Important note

To achieve usage class 4 in accordance with EN 1906, a 9-mm steel or 8-mm stainless steel square spindle is needed

Approved with corresponding panic lock as emergency exit lever handle in accordance with EN 179

5055 · ① · ② · ③ · ④ · ⑤ · ⑥

① Execution	② Guide	③ Square	④ Bolt length	⑤ Square material	⑥ Surface
00 Lochteil	0 glide	80 8 mm	00 Without	0 Without	00 Stainless steel matt
10 Stifteil	1 twin glide	85 8,5 mm	06 84 mm	1 Galvanized steel	11 Stainless steel polished
50 Paar		90 9 mm	12 109 mm	2 Stainless steel	44 Antibacterial
			99 Auf Anfrage		51 RAL 9005 black matt
					99 On request