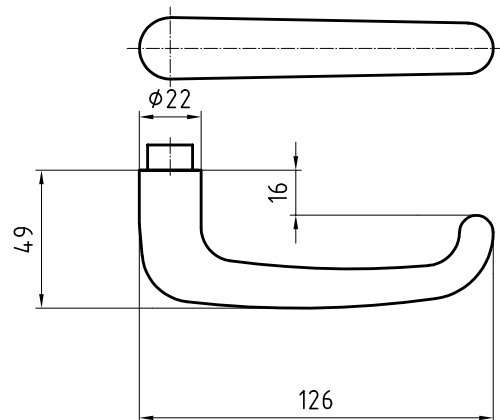


## 5039 Lucerne Stainless steel lever handle



Picture shows handle with 5620C rose

### Product profile

Commercial buildings, administrative centres and superior quality residential developments

### Standard version

- Satin stainless steel surface
- Lever handle length 126 mm, Ø 22 mm
- Projection 49 mm
- Prepared for fixed mobile mounting with easyfix
- Steel galvanised square spindle
- 16-mm Glutz glide bearing, tested for 2.5 million cycles

### Options

16-mm twin bearing with easyfix (fixed mobile)

### Important note

To achieve usage class 4 in accordance with EN 1906, a 9-mm steel or 8-mm stainless steel square spindle is needed

### 5039 · ① · ② · ③ · ④ · ⑤ · ⑥

① Execution	② Guide	③ Spindle	④ Bolt length	⑤ Spindle material	⑥ Surface
00 Lochteil	0 glide	80 8 mm	00 Without	0 Without	00 Stainless steel matt
10 Stifteil	1 twin glide	85 8,5 mm	04 79 mm	1 Galvanized steel	11 Stainless steel polished
50 Paar		90 9 mm	10 104 mm	2 Stainless steel	44 Antibacterial
			99 Auf Anfrage		51 RAL 9005 black matt
					99 On request