



## EG-DKLOCK

locking tilt and turn window handle

### Product information

Code: 1503D135INXX1

Finish: satin stainless steel

UNIT: Piece

Collection: EDGY

Designer: Mathieu Bruls

EAN code: 8718009196038

### EDGY by Mathieu Bruls

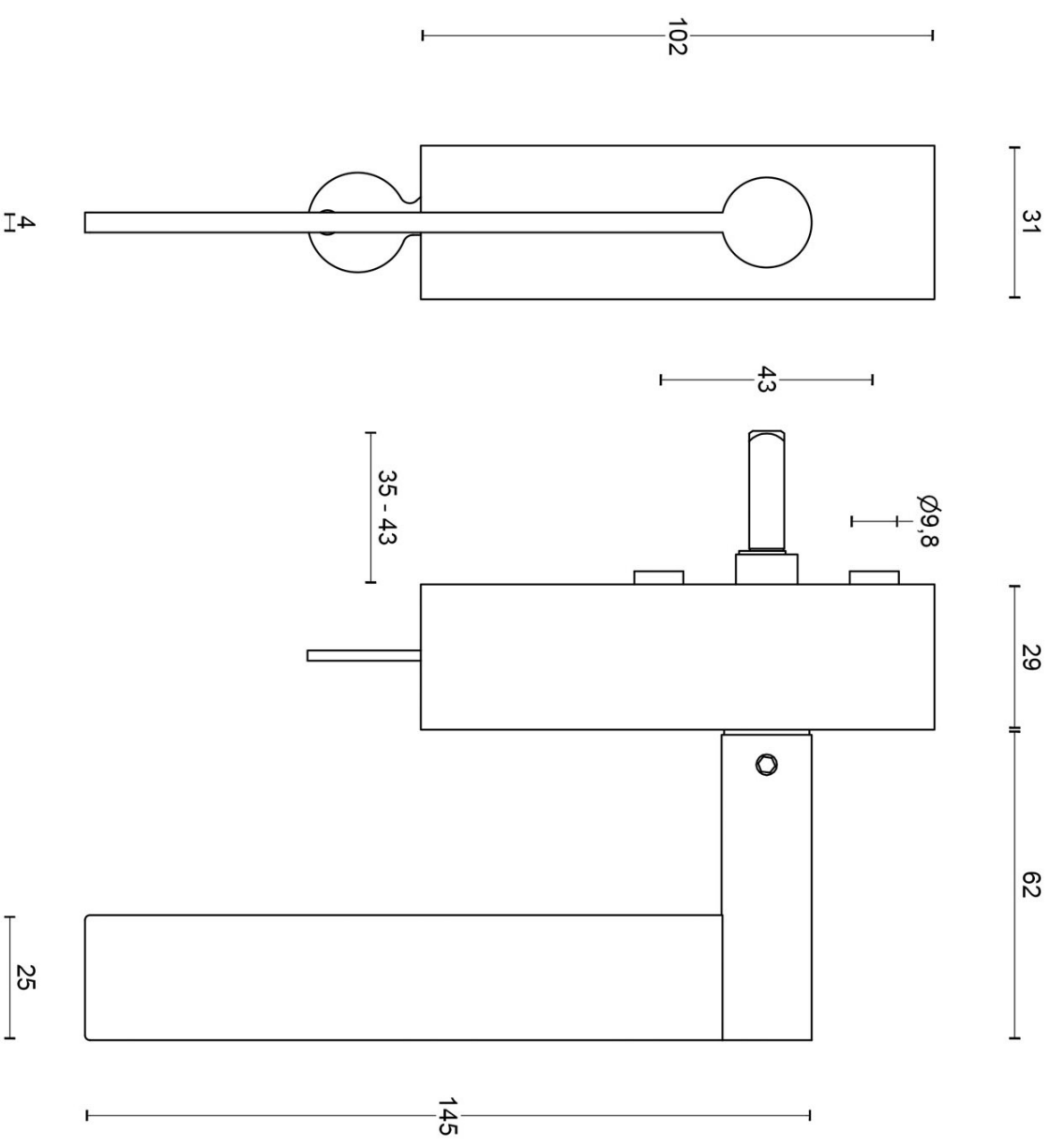
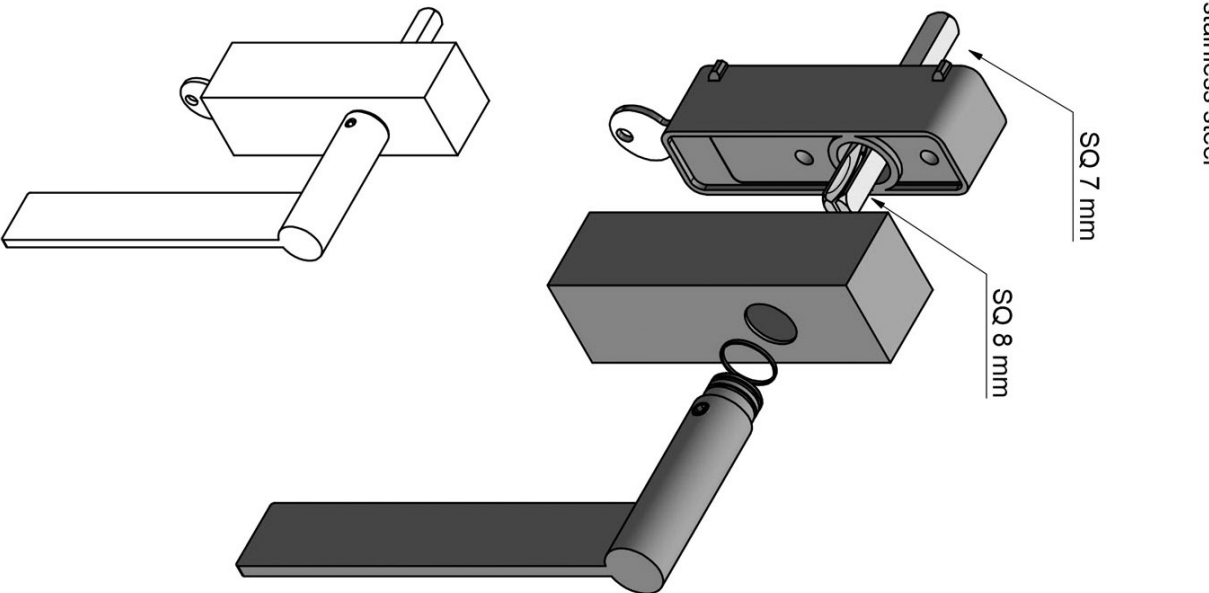
The EDGY series is a total concept collection consisting of door, window, and furniture fittings.

### Finishes

- satin stainless steel
- satin stainless steel
- satin black
- satin black

# EG-DKLOCK

locking tilt and turn  
window handle  
stainless steel



|   |                            |                  |
|---|----------------------------|------------------|
| <b>FORMANI®</b>   |                            | Part number:     |
| Doc no.:  | 1503D135 EG-DKLOCK V02.dwg | Description:     |
| Drawn by:   | Christian Brimbois         | <b>EG-DKLOCK</b> |
| Creation date:  | 29-8-2017                  | Format:          |
| FORMANI HOLLAND B.V. - EUROPALAAN 12 6199 AB MAASTRICHT-AIRPORT NL. T. +31 (0)43 308 90 00 INFO@FORMANI.COM FORMANI.COM |                            | <b>A3</b>        |

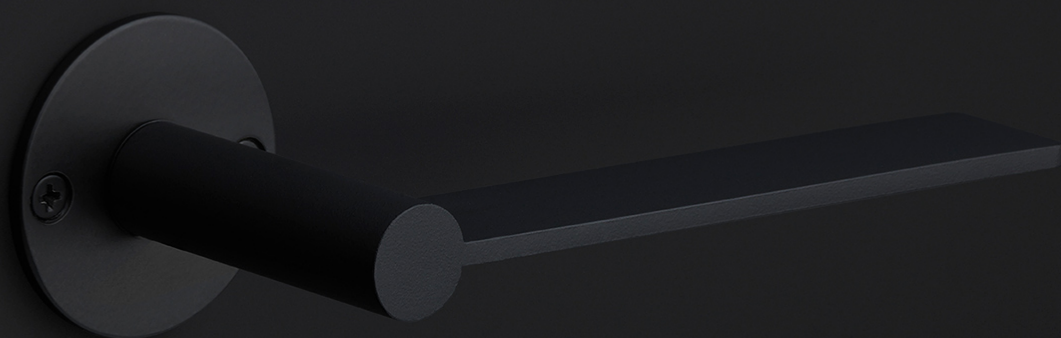
# EDGY

by Mathieu Bruls

**Our EDGY series by Mathieu Bruls is the direct result of a design sketch, which clearly demonstrated that applying pressure to the flat handle would cause the round axis to turn. This design unequivocally counters the misconception that ergonomics can only be achieved by ensuring the contour seamlessly fits into the hand. In contrast, this mismatched shape is wonderfully tactile – a joy to touch. And as is often the case with simplicity, it can be technically very complex. Yet the conundrum is to truly understand what you see before you. EDGY embodies the words of its designer ‘No less, no more – just the right balance’.**

# EDGY

by Mathieu Bruls



FORMANI®



# Mathieu Bruls

Maastricht, 1960

Design philosophy: Go with the flow, knowing when to go against it.

**‘No less, no more – just the right balance.’ is what defines Mathieu Bruls’ design philosophy. He believes that innovation only occurs when shapes or conceptions are conflicting. During his search for inspiration, he always looks for details that will make the difference in everyday products. The FORMANI EDGY by Mathieu Bruls reflects his tribute to common sense. ‘EDGY’s function is clear from its appearance– the power of touch turns it into an entirely different body’**

**FORMANI®**

# Brand story

**FORMANI has evolved considerably over the last few decades – from a Dutch family business to an internationally renowned designer brand, from door handles to total design concepts, from product development to collaborations with world-class designers. It was an evolution driven by pure ambition and courage. Our motto, ‘Obsessed with details’, epitomizes everything we do, from product to process, from strategy to service. Because it is these details that make the difference between good and perfect. At FORMANI, good is the enemy of great.**

---

Formani Holland b.v.  
Europalaan 12  
6199 AB  
Maastricht-Airport

T: +31(0)43 308 9000  
E: [info@formani.com](mailto:info@formani.com)

Chamber of Commerce:  
146 27 479

**FORMANI®**