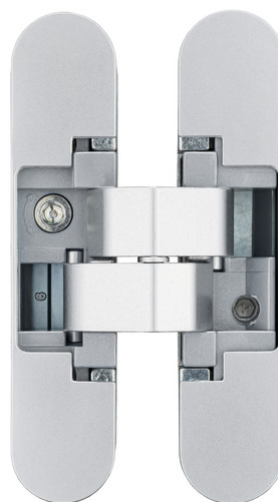


AN 150 3D

for unrebated residential doors with 21 mm reduced hinge frame part up to 40 kg



Product features

- reduced hinge frame part 21 mm
- completely concealed hinge system
- for timber and aluminium frames
- for unrebated residential doors
- 3D adjustment (side +/- 1.5 mm, height +/- 2.5 mm, compression +/- 1.0 mm)
- material zamak / acetal

Technical data

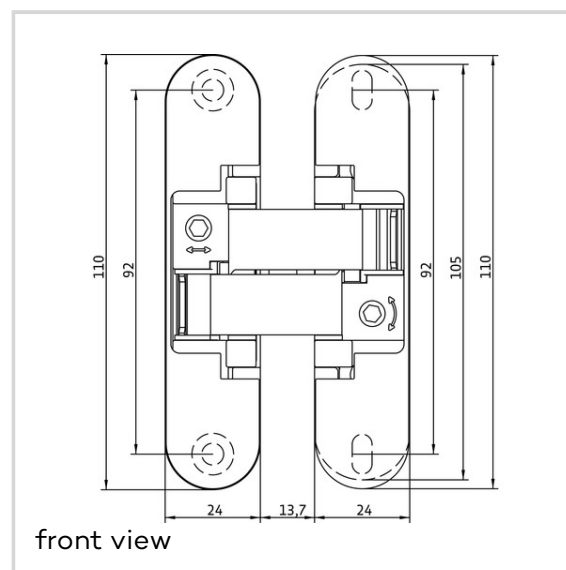
Property	Value
Load capacity	40.0 kg
Overall length	110.0 mm
Width (door part)	24.0 mm
Width (frame part)	24.0 mm
Cutter diameter	16.0 mm
Collar ring diameter	27.0 mm
Opening angle	180°

Notes

Quality marks



UL certification



ANSELMI - AN 150 3D

The load capacity mentioned above refers to the use of 2 hinges per door leaf (900 x 2100 mm).

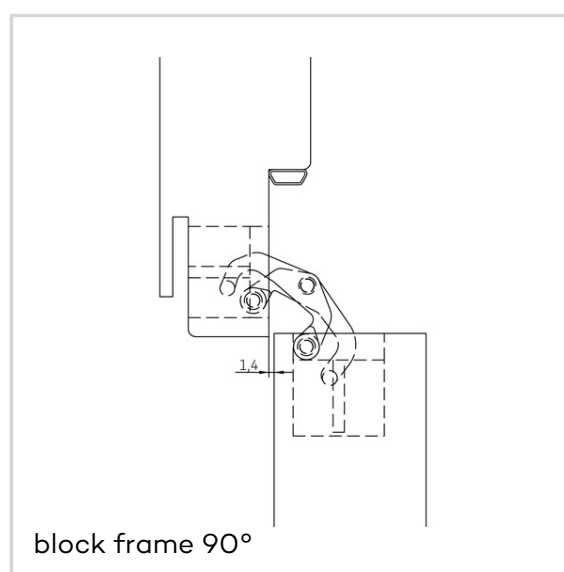
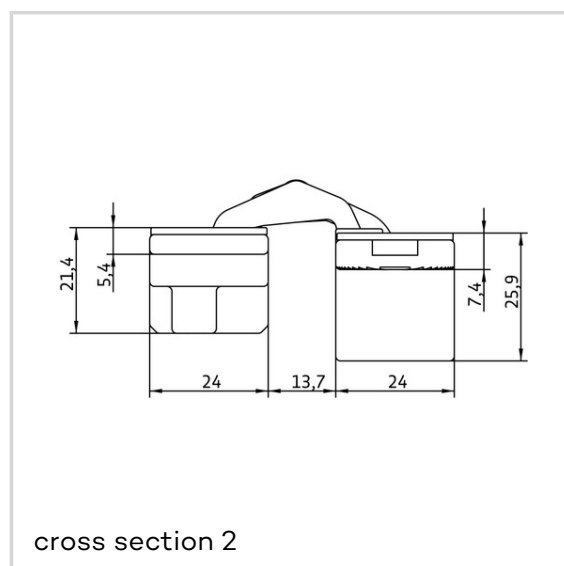
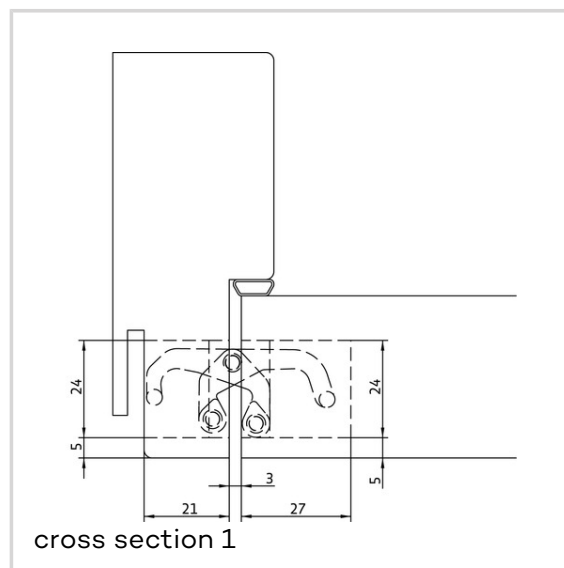
Finishes shown on the model version AN 160 3D.
Deviations possible with this model version.

Suggested screws: Frame side: Countersunk head screws DIN 7505 A, Diameter 4.5 mm
Door side: Pan head screws DIN 7505 B, Diameter 4.5 mm

Alternatively, the routing can be carried out with a cutter diameter of 14.0 mm and a collar ring diameter of 25.0 mm.

Item versions

Finish	Satin Chrome (AN 014)
VPE	Pack of 2
DIN	DIN right and left hand
Article number	AN 150 3D (AN 014)
EAN	8054608708532
Finish	Black (AN 018)
VPE	Pack of 2
DIN	DIN right and left hand
Article number	AN 150 3D (AN 018)
EAN	8054608708570
Finish	Antique Bronze (AN 035)
VPE	Pack of 2
DIN	DIN right and left hand
Article number	AN 150 3D (AN 035)
EAN	8054608708587
Finish	Polished Brass (AN 037)
VPE	Pack of 2
DIN	DIN right and left hand
Article number	AN 150 3D (AN 037)
EAN	8054608708600
Finish	Polished Chrome (AN 039)



ANSELMI - AN 150 3D

VPE	Pack of 2
DIN	DIN right and left hand
Article number	AN 150 3D (AN 039)
EAN	8054608708617
Finish	RAL 9016 Traffic White (AN 049)
VPE	Pack of 2
DIN	DIN right and left hand
Article number	AN 150 3D (AN 049)
EAN	8054608708631

